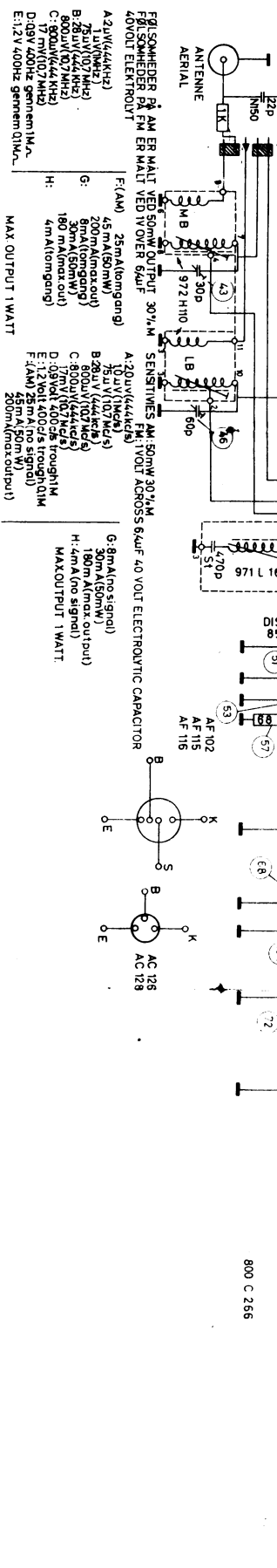
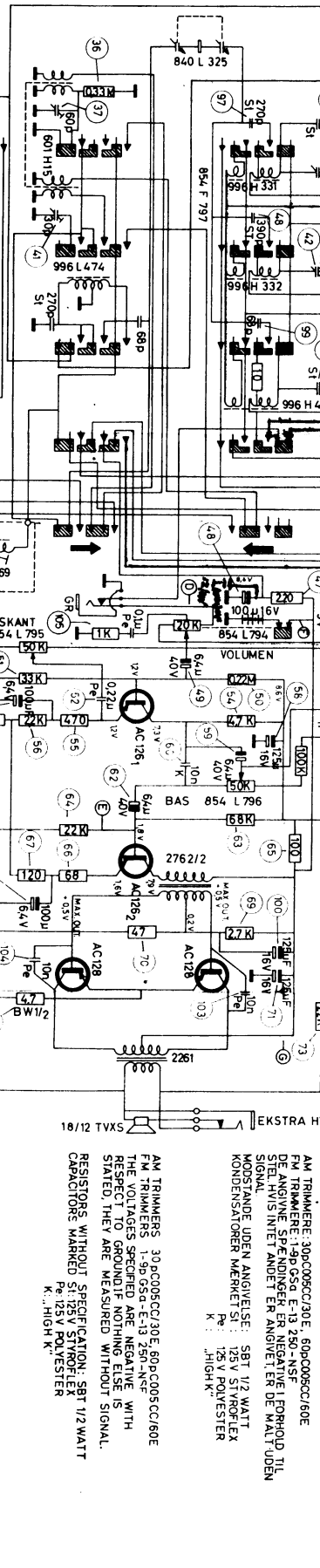
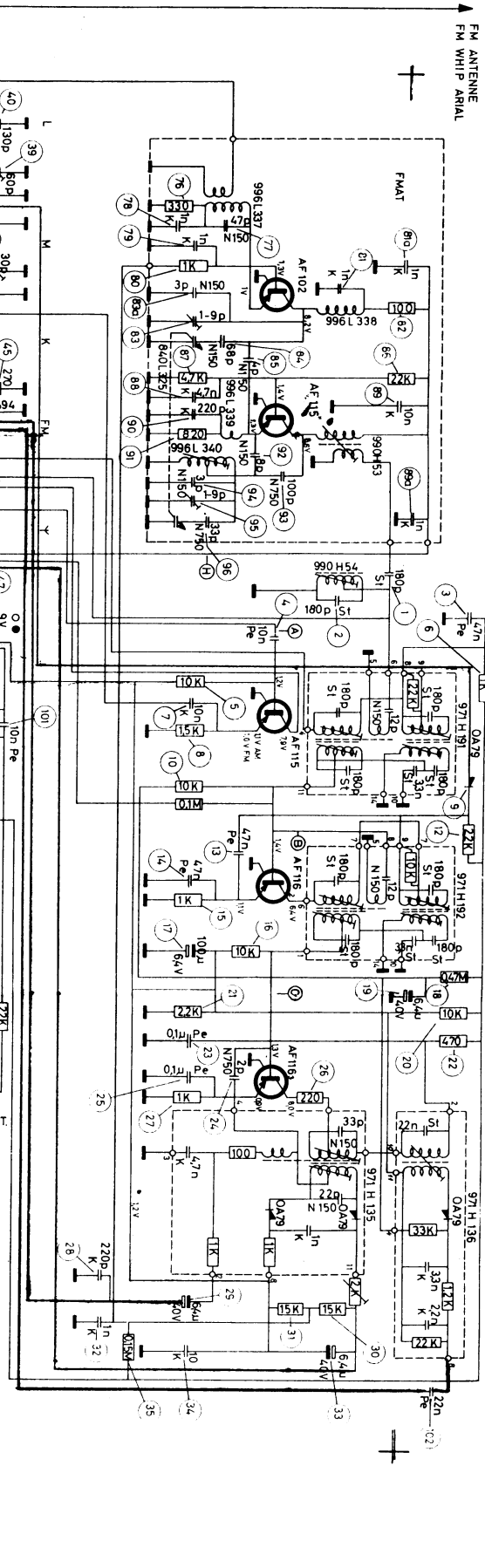


FM ANTENNE
FM WHIP AERIAL



AM TRIMMERS 30pC005CC/30E 60pC005CC/60E
FM TRIMMERS 1.5pC50-E-13 250-n5C
THE VOLTAGES SPECIFIED ARE NEGATIVE WITH
RESPECT TO GROUND IF NOTHING ELSE IS
STATED, THEY ARE MEASURED WITHOUT SIGNAL.
RESISTORS WITHOUT SPECIFICATION: SBT 1/2 WATT
CONDENSATORS MARKED: SBT 125V POLYESTER
K.: HIGH K.
J.: HIGH K.
Pe: 125V POLYESTER
J.: HIGH K.

FM ANTENNE
FM WHIP AERIAL
FMAT
AF102
AF115
AF116
AF118
AK125
AK128
AK129
AK130
AK131
AK132
AK133
AK134
AK135
AK136
AK137
AK138
AK139
AK140
AK141
AK142
AK143
AK144
AK145
AK146
AK147
AK148
AK149
AK150
AK151
AK152
AK153
AK154
AK155
AK156
AK157
AK158
AK159
AK160
AK161
AK162
AK163
AK164
AK165
AK166
AK167
AK168
AK169
AK170
AK171
AK172
AK173
AK174
AK175
AK176
AK177
AK178
AK179
AK180
AK181
AK182
AK183
AK184
AK185
AK186
AK187
AK188
AK189
AK190
AK191
AK192
AK193
AK194
AK195
AK196
AK197
AK198
AK199
AK200
AK201
AK202
AK203
AK204
AK205
AK206
AK207
AK208
AK209
AK210
AK211
AK212
AK213
AK214
AK215
AK216
AK217
AK218
AK219
AK220
AK221
AK222
AK223
AK224
AK225
AK226
AK227
AK228
AK229
AK230
AK231
AK232
AK233
AK234
AK235
AK236
AK237
AK238
AK239
AK240
AK241
AK242
AK243
AK244
AK245
AK246
AK247
AK248
AK249
AK250
AK251
AK252
AK253
AK254
AK255
AK256
AK257
AK258
AK259
AK260
AK261
AK262
AK263
AK264
AK265
AK266
AK267
AK268
AK269
AK270
AK271
AK272
AK273
AK274
AK275
AK276
AK277
AK278
AK279
AK280
AK281
AK282
AK283
AK284
AK285
AK286
AK287
AK288
AK289
AK290
AK291
AK292
AK293
AK294
AK295
AK296
AK297
AK298
AK299
AK300
AK301
AK302
AK303
AK304
AK305
AK306
AK307
AK308
AK309
AK310
AK311
AK312
AK313
AK314
AK315
AK316
AK317
AK318
AK319
AK320
AK321
AK322
AK323
AK324
AK325
AK326
AK327
AK328
AK329
AK330
AK331
AK332
AK333
AK334
AK335
AK336
AK337
AK338
AK339
AK340
AK341
AK342
AK343
AK344
AK345
AK346
AK347
AK348
AK349
AK350
AK351
AK352
AK353
AK354
AK355
AK356
AK357
AK358
AK359
AK360
AK361
AK362
AK363
AK364
AK365
AK366
AK367
AK368
AK369
AK370
AK371
AK372
AK373
AK374
AK375
AK376
AK377
AK378
AK379
AK380
AK381
AK382
AK383
AK384
AK385
AK386
AK387
AK388
AK389
AK390
AK391
AK392
AK393
AK394
AK395
AK396
AK397
AK398
AK399
AK400
AK401
AK402
AK403
AK404
AK405
AK406
AK407
AK408
AK409
AK410
AK411
AK412
AK413
AK414
AK415
AK416
AK417
AK418
AK419
AK420
AK421
AK422
AK423
AK424
AK425
AK426
AK427
AK428
AK429
AK430
AK431
AK432
AK433
AK434
AK435
AK436
AK437
AK438
AK439
AK440
AK441
AK442
AK443
AK444
AK445
AK446
AK447
AK448
AK449
AK450
AK451
AK452
AK453
AK454
AK455
AK456
AK457
AK458
AK459
AK460
AK461
AK462
AK463
AK464
AK465
AK466
AK467
AK468
AK469
AK470
AK471
AK472
AK473
AK474
AK475
AK476
AK477
AK478
AK479
AK480
AK481
AK482
AK483
AK484
AK485
AK486
AK487
AK488
AK489
AK490
AK491
AK492
AK493
AK494
AK495
AK496
AK497
AK498
AK499
AK500
AK501
AK502
AK503
AK504
AK505
AK506
AK507
AK508
AK509
AK510
AK511
AK512
AK513
AK514
AK515
AK516
AK517
AK518
AK519
AK520
AK521
AK522
AK523
AK524
AK525
AK526
AK527
AK528
AK529
AK530
AK531
AK532
AK533
AK534
AK535
AK536
AK537
AK538
AK539
AK540
AK541
AK542
AK543
AK544
AK545
AK546
AK547
AK548
AK549
AK550
AK551
AK552
AK553
AK554
AK555
AK556
AK557
AK558
AK559
AK560
AK561
AK562
AK563
AK564
AK565
AK566
AK567
AK568
AK569
AK570
AK571
AK572
AK573
AK574
AK575
AK576
AK577
AK578
AK579
AK580
AK581
AK582
AK583
AK584
AK585
AK586
AK587
AK588
AK589
AK590
AK591
AK592
AK593
AK594
AK595
AK596
AK597
AK598
AK599
AK600
AK601
AK602
AK603
AK604
AK605
AK606
AK607
AK608
AK609
AK610
AK611
AK612
AK613
AK614
AK615
AK616
AK617
AK618
AK619
AK620
AK621
AK622
AK623
AK624
AK625
AK626
AK627
AK628
AK629
AK630
AK631
AK632
AK633
AK634
AK635
AK636
AK637
AK638
AK639
AK640
AK641
AK642
AK643
AK644
AK645
AK646
AK647
AK648
AK649
AK650
AK651
AK652
AK653
AK654
AK655
AK656
AK657
AK658
AK659
AK660
AK661
AK662
AK663
AK664
AK665
AK666
AK667
AK668
AK669
AK670
AK671
AK672
AK673
AK674
AK675
AK676
AK677
AK678
AK679
AK680
AK681
AK682
AK683
AK684
AK685
AK686
AK687
AK688
AK689
AK690
AK691
AK692
AK693
AK694
AK695
AK696
AK697
AK698
AK699
AK700
AK701
AK702
AK703
AK704
AK705
AK706
AK707
AK708
AK709
AK710
AK711
AK712
AK713
AK714
AK715
AK716
AK717
AK718
AK719
AK720
AK721
AK722
AK723
AK724
AK725
AK726
AK727
AK728
AK729
AK730
AK731
AK732
AK733
AK734
AK735
AK736
AK737
AK738
AK739
AK740
AK741
AK742
AK743
AK744
AK745
AK746
AK747
AK748
AK749
AK750
AK751
AK752
AK753
AK754
AK755
AK756
AK757
AK758
AK759
AK760
AK761
AK762
AK763
AK764
AK765
AK766
AK767
AK768
AK769
AK770
AK771
AK772
AK773
AK774
AK775
AK776
AK777
AK778
AK779
AK780
AK781
AK782
AK783
AK784
AK785
AK786
AK787
AK788
AK789
AK790
AK791
AK792
AK793
AK794
AK795
AK796
AK797
AK798
AK799
AK800
AK801
AK802
AK803
AK804
AK805
AK806
AK807
AK808
AK809
AK810
AK811
AK812
AK813
AK814
AK815
AK816
AK817
AK818
AK819
AK820
AK821
AK822
AK823
AK824
AK825
AK826
AK827
AK828
AK829
AK830
AK831
AK832
AK833
AK834
AK835
AK836
AK837
AK838
AK839
AK840
AK841
AK842
AK843
AK844
AK845
AK846
AK847
AK848
AK849
AK850
AK851
AK852
AK853
AK854
AK855
AK856
AK857
AK858
AK859
AK860
AK861
AK862
AK863
AK864
AK865
AK866
AK867
AK868
AK869
AK870
AK871
AK872
AK873
AK874
AK875
AK876
AK877
AK878
AK879
AK880
AK881
AK882
AK883
AK884
AK885
AK886
AK887
AK888
AK889
AK890
AK891
AK892
AK893
AK894
AK895
AK896
AK897
AK898
AK899
AK900
AK901
AK902
AK903
AK904
AK905
AK906
AK907
AK908
AK909
AK910
AK911
AK912
AK913
AK914
AK915
AK916
AK917
AK918
AK919
AK920
AK921
AK922
AK923
AK924
AK925
AK926
AK927
AK928
AK929
AK930
AK931
AK932
AK933
AK934
AK935
AK936
AK937
AK938
AK939
AK940
AK941
AK942
AK943
AK944
AK945
AK946
AK947
AK948
AK949
AK950
AK951
AK952
AK953
AK954
AK955
AK956
AK957
AK958
AK959
AK960
AK961
AK962
AK963
AK964
AK965
AK966
AK967
AK968
AK969
AK970
AK971
AK972
AK973
AK974
AK975
AK976
AK977
AK978
AK979
AK980
AK981
AK982
AK983
AK984
AK985
AK986
AK987
AK988
AK989
AK990
AK991
AK992
AK993
AK994
AK995
AK996
AK997
AK998
AK999
AK1000

800 C 266